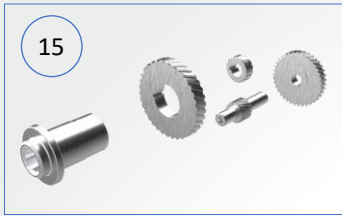
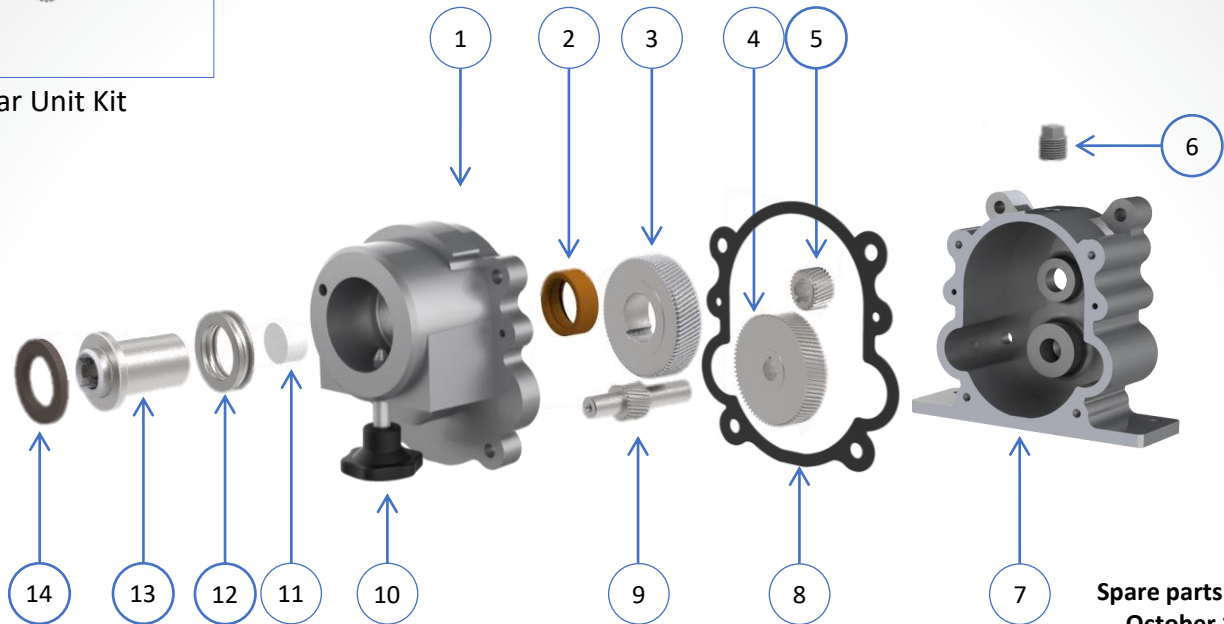


SPARE PARTS MANUAL

Page 01
KG-22-W-XP
 Section: Transmission System



Gear Unit Kit

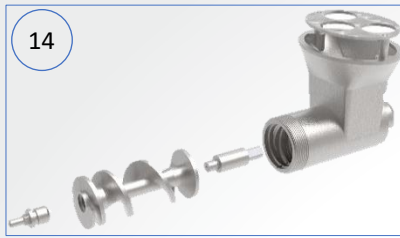


Spare parts valid since
 October 1st 2022

ITEM	CODE	DESCRIPTION
1	M577668	GEAR COVER KIT (KNOB)
2	M577669	FLAT 1-3/8" BEARING
3	M575643	GEAR FOR SQUARED INNER COUPLIN 60 HZ
4	M570567	GEAR (FLAT)
5	M570193	GEAR (PINION)
6	M501101	GEAR BOX PLUG
7	M577670	DC GEAR BOX 12/22
8	M577671	TRANSMISSION COVER GASKET
9	M572180	DOUBLE SHAFT GEAR 60 HZ
10	M507692	KNOB
11	M500329	SQUARED GEAR COVER
12	M506571	AXIAL BALL BEARING
13	M575642	SQUARED INNER COUPLING FOR GEAR
14	M570154	SEAL CR 12544 VITON
15	M572409	GEAR UNIT KIT

SPARE PARTS MANUAL

Page 02
KG-22-W-XP
 Section: Cut System



Grinding Unit Kit



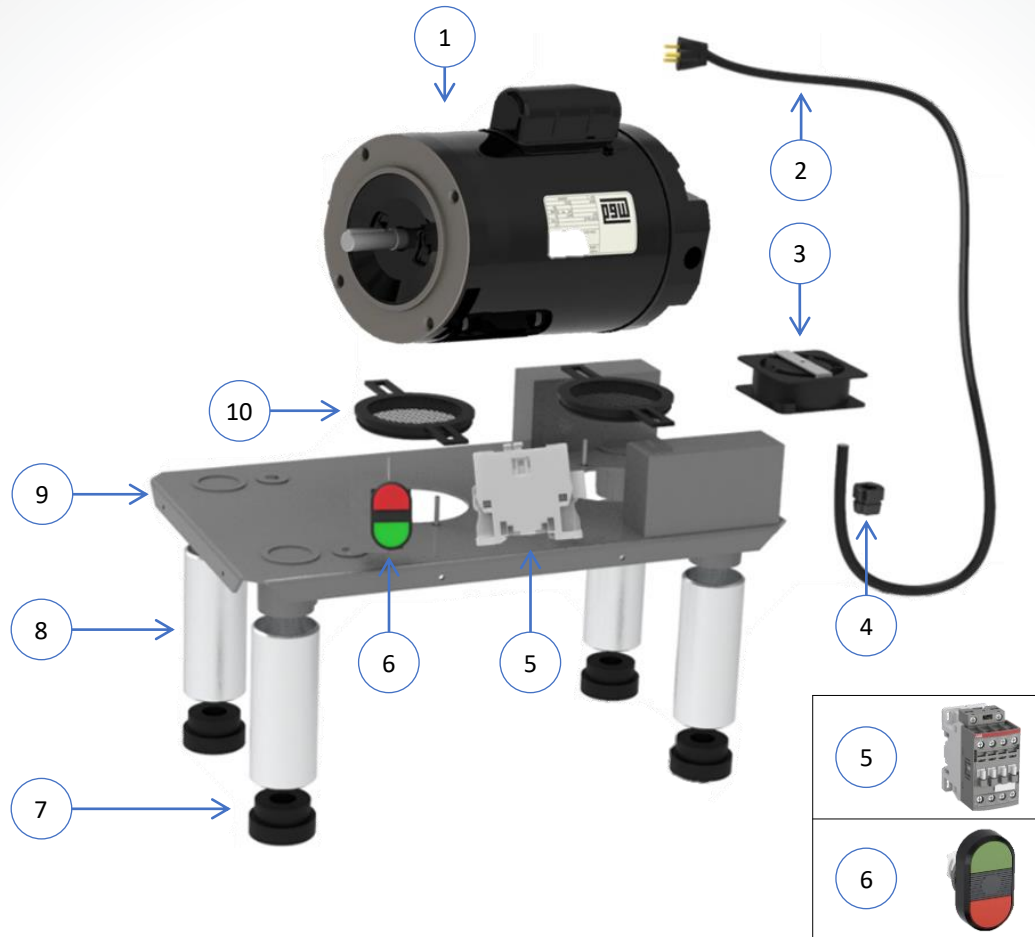
Spare parts valid since
 October 1st 2022

ITEM	CODE	DESCRIPTION
1	M501794	STOMPER
2	M570145	STAINLESS STEEL PRODUCT INLAID TRAY
3	M500330	BUMPER (RUBBER)
4	M570146	CLAMPS
5	M570176	CASE AND THERMIC-ISOLATING ASSY. (2 HP VERSION)
6	M501134	SOLID PIN STAINLESS STEEL
7	M575636	HEADSTOCK
8	M572368	GUIDE PIN
9	M573789	REARROD
10	M575280	FEED SCREW (WORM)
11	M570201	FRONT ROD
12	M570383	HEADSTOCK RING
13	M501572	GREASE ALIPLEX C2 FOOD GRADE
14	M570071	GRINDING UNIT KIT

* Please let it know to distribution center if your Assembly Case contains Clamps.

SPARE PARTS MANUAL

Page 03
KG-22-W-XP
 Section: Electric System
 2 HP version



ITEM	CODE	DESCRIPTION
1	M506917	MOTOR 2HP, M, 220V, 4P, 60, C
2	M500154	3X14AWG,300V, 75°C UL CABLE W/ARNES
3	M501534	230 VCA AXIAL FAN
4	M500799	GROMMET
5	M503352	CONTACTOR 220V
6	M502260	DOUBLE BUTTON
7	M500333	FERRULE RUBBER
8	M571407	3/4" ALUMINIUM LEG
9	M577672	BASE AND BASE LID ASSY
10	M575588	BASE LID