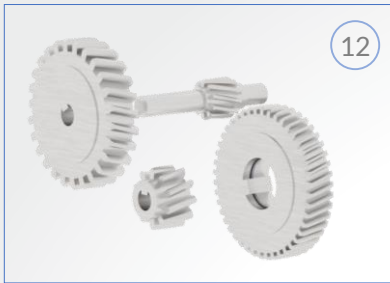
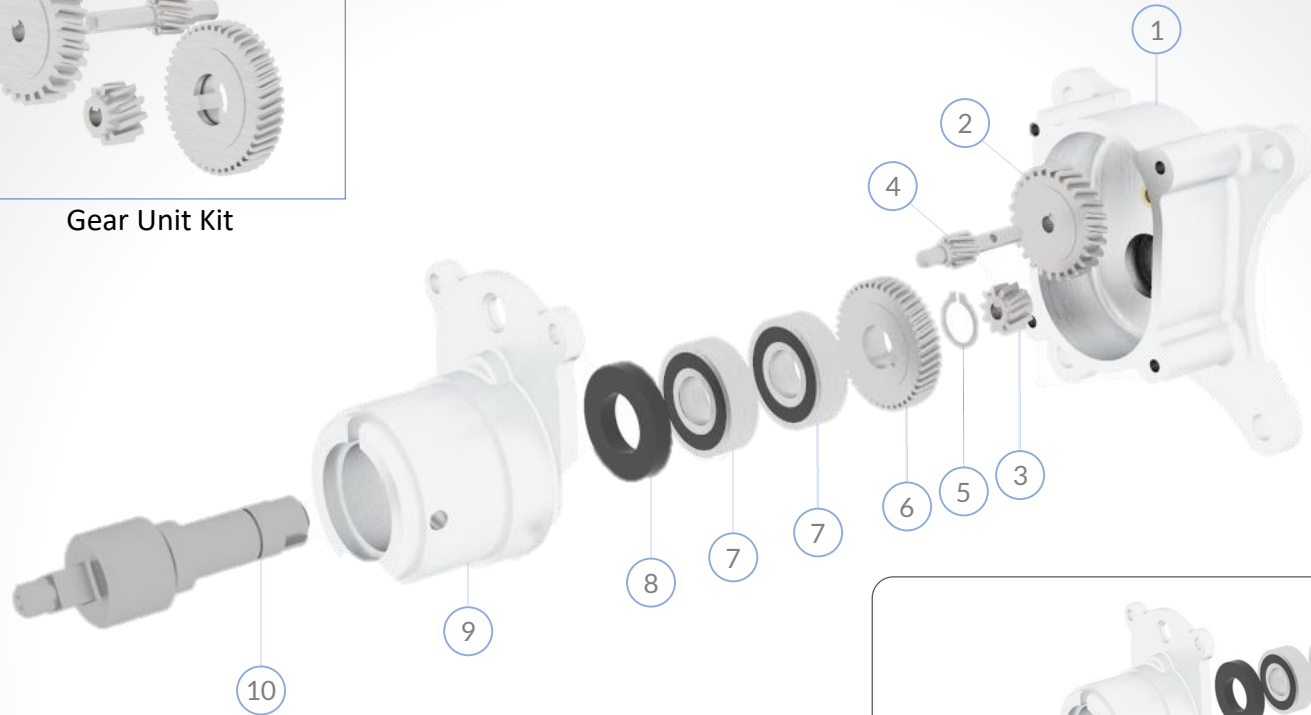


SPARE PARTS MANUAL

Page 01
KG-12-SS
 Section: Transmission System



Gear Unit Kit



ITEM	CODE	DESCRIPTION
1	M577133	GEAR BOX KIT FG12SS
2	M577130	GEAR (FLAT) FG12SS
3	M577126	GEAR (PINION) FG12SS
4	M577124	DOUBLE SHAFT GEAR 60 HZ FG12SS
5	M500655	PADLOCK 5100-62
6	M577132	GEAR F/SHAFT FG12SS
7	M503385	BEARING #6203
8	M507429	TRANSMISSION COVER SEAL CR8772
9	M577778	TRANSMISSION COVER (without shaft)
10	M577128	TRANSMISSION COVER SHAFT FG12SS
11	M577348	GEAR COVER KIT FG12SS (Shaft, seals, and gear)
12	M577779	GEAR UNIT KIT KG12SS, 60 Hz

SPARE PARTS MANUAL

Page 02
KG-12-SS
 Section: Cut System



ITEM	CODE	DESCRIPTION
1	M575310	STAINLESS STEEL PRODUCT TRAY
2	M507421	STOMPER
3	M507416	HEADSTOCK
4	M507507	HEAD KNOB
5	M577390	FEED SCREW (WORM)
6	M536980	FRONT ROD
7	M507417	HEADSTOCK RING

SPARE PARTS MANUAL

Page 03
KG-12-SS
Section: Base System



ITEM	CODE	DESCRIPTION
1	M577776	KG12SS CABINET FOR PUSH BUTTONS
2	M575588	BASE LID ASSY.
3	M577122	BASE AND BASE LID ASSY.
4	M507426	FERRULE RUBBER 1.5" X 2.5"

SPARE PARTS MANUAL

Page 04
KG-12-SS
 Section: Base System

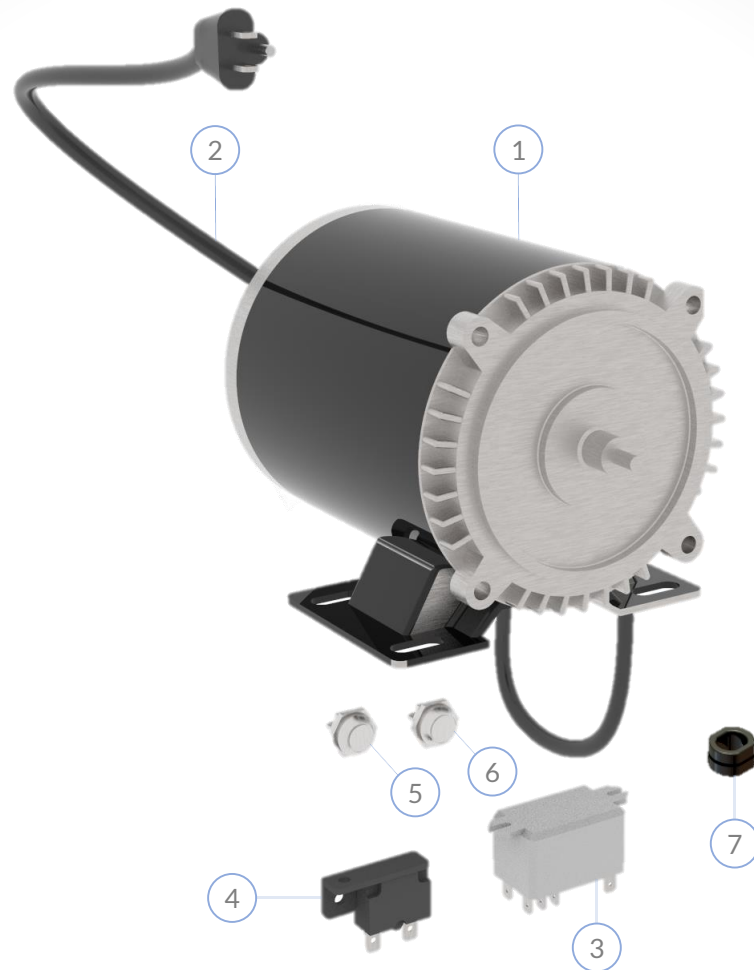


ITEM	CODE	DESCRIPTION
1	M577777	KG12SS CABINET FOR SWITCH
2	M575588	BASE LID ASSY.
3	M577122	BASE AND BASE LID ASSY.
4	M507426	FERRULE RUBBER 1.5" X 2.5"

* CABINET for equipments made since October 1st, 2021

SPARE PARTS MANUAL

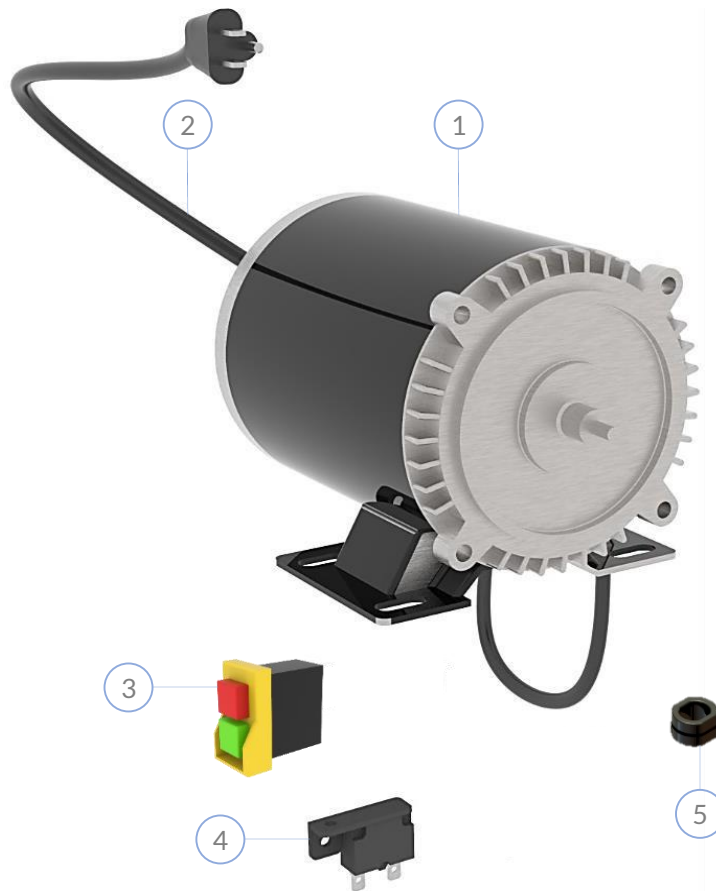
Page 05
KG-12-SS
 Section: Electric System



ITEM	CODE	DESCRIPTION
1	M507413	MOTOR 3/4HP, M, 127V, 4P, 60, C
2	M500154	POWER CORD 110V
3	M501243	THERMAL RELAY 66.828.120.0000 120V AC
4	M507483	AUTOMATIC CIRCUIT BREAKER (8 AMP)
5	M507590	BUTTON W/CONTACT N.C. 16MM YL16S/H10
6	M507589	BUTTON W/CONTACT N.O. 16MM YL16S/B11
7	M500799	GROMMET

SPARE PARTS MANUAL

Page 06
KG-12-SS
 Section: Electric System



ITEM	CODE	DESCRIPTION
1	M507413	MOTOR 3/4HP, M, 127V, 4P, 60, C
2	M500154	POWER CORD 110V
3	M500095*	SWITCH KDJ17 115V~
4	M507483	AUTOMATIC CIRCUIT BREAKER (8 AMP)
5	M500799	GROMMET

* Spare parts for equipments made since October 1st, 2021