

# KG-32 MEAT GRINDER

# PRO-CUT<sup>®</sup>

## SPEC SHEET

[www.pro-cut.us](http://www.pro-cut.us)

## STANDARD FEATURES

- 3,300+ lbs /hour processing capacity  
(1st grinding – 3/8" plate)
- 1,700+ lbs /hour processing capacity  
(2nd grinding – 1/8" plate)
- 3 HP motor with powerful 85 lbs-ft torque for meat grinding
- 3 phase electrical connection
- Precision engineered steel gear transmission
- Food grade stainless steel body and feed tray
- Robust headstock with permanent affixed safety guard
- Safety deflector included
- Non slip rubber feet
- Includes motor protector in case of overload



## PRODUCT HIGHLIGHTS



**Safety deflector**



**Powerful  
3 HP motor**



**Included  
accessories**



**Large stainless  
steel feed tray**



**Stainless steel  
body**



**Motor protector**



Intertek

Intertek



**1 year parts and labor**

# KG-32

## MEAT GRINDER

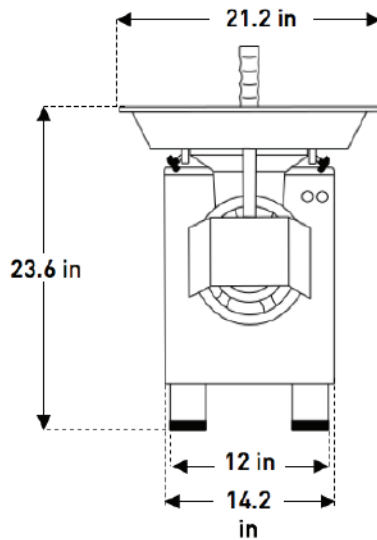
# PRO-CUT®

### SPEC SHEET

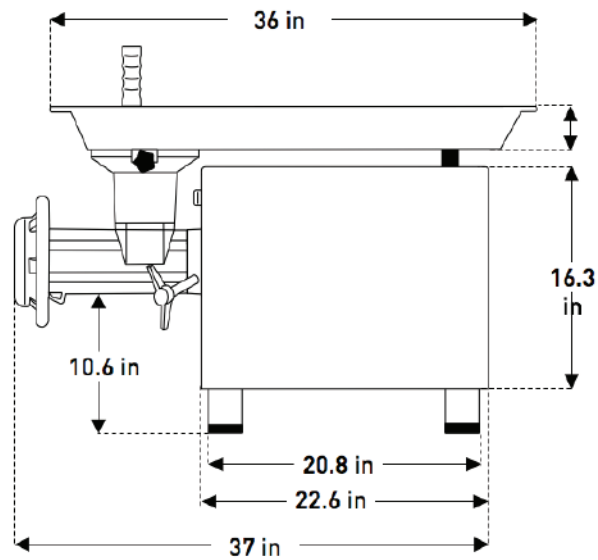
[www.pro-cut.us](http://www.pro-cut.us)

### PLAN VIEW

Front view



Side view



### TECHNICAL DATA



L15-20P

#### Dimensions

External dimensions	L: 37" W: 21.2" H: 23.6"
Net weight	254.63 lb (115.50 kg)
Power cord length	6.56 ft

#### Construction

Cabinet material	Stainless steel
Tray material	Stainless steel
Headstock	Cast iron

#### Logistic data

Max number of SKU per pallet	1
Shipping dimensions per unit	L: 44" W: 22" H: 32"
Shipping weight per unit	288 lbs
Shipping dimensions full pallet	L: 44" W: 22" H: 32"
Shipping weight full pallet	288 lbs
Freight class	85

#### Electrical data

Motor	3 HP
Volts / Frequency	220 Vac / 60 Hz
Amps	16.7
Watts	2250
Phase	3
Type of plug (NEMA)	L15-20P

#### Performance / Capacity

1st grinding capacity (3/8" plate)	55 lbs / min
2nd grinding capacity (1/8" plate)	29 lbs / min

#### Accessories

Knives	Plates
NIR-32 (Stainless Steel Rectangular)	CD-32-1/8"
NLV-32 (Long Lasting Steel)	CD-32-1/8-29"
	CD-32-1/4"
	CD-32-3/16"
	CDH-32-3/16"
	CD-32-3/8"

L: Length W: Width H: Height