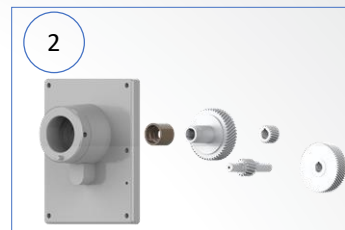
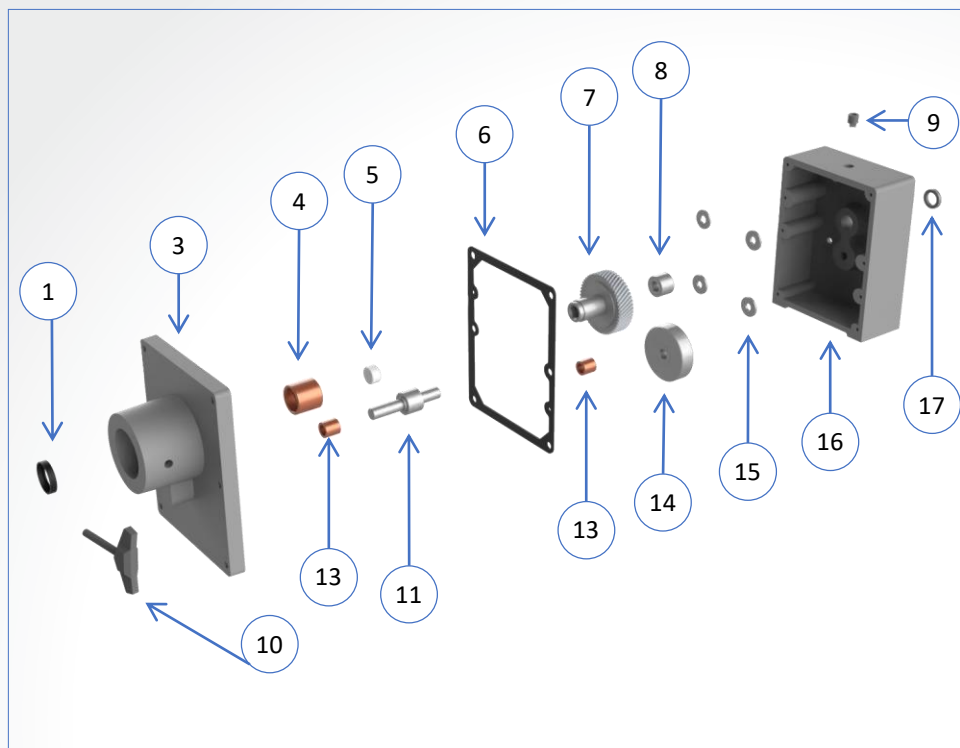
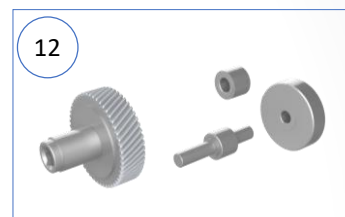


SPARE PARTS MANUAL

Page 01
KG-32-MP
Section: Transmission System



Gear Cover 60Hz KG32MP w/gears

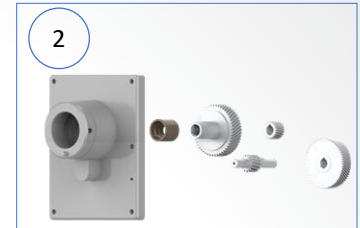
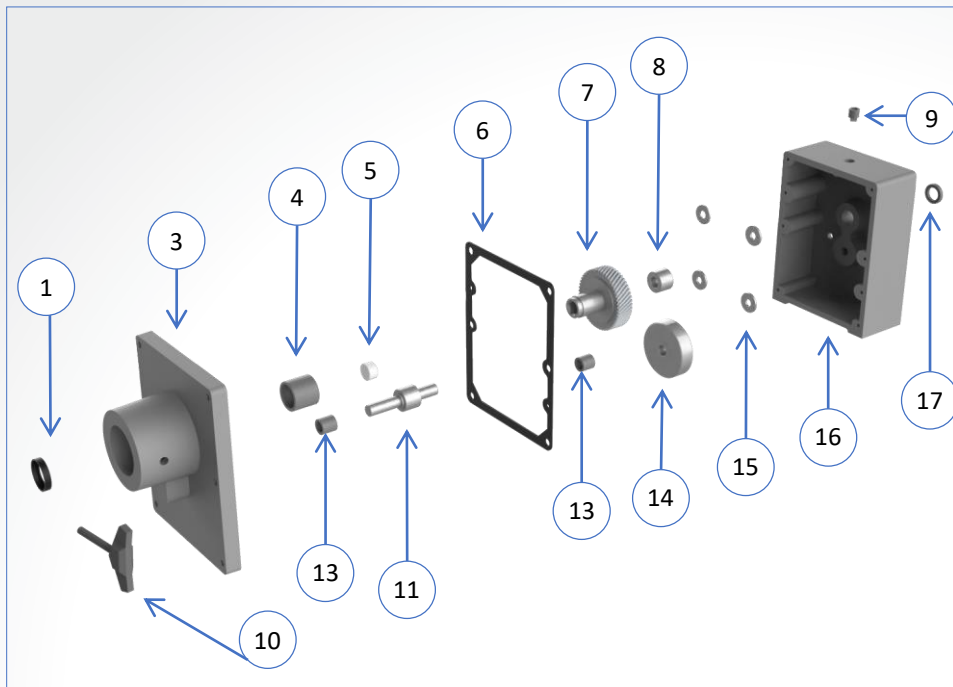


Gear Unit Kit

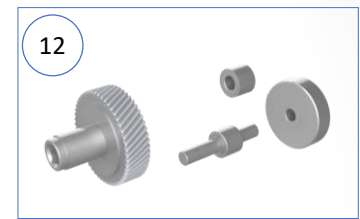
ITEM	CODE	DESCRIPTION
1	M501141	SEAL #13547
2	M570185	GEAR COVER 60Hz KG-32-MP W/GEARS
3	M571912	GEAR COVER KG-32-MP (GEAR NOT INCLUDED)
4	M570396	BRONZE BUSHING KG-32-MP
5	M500329	SQUARE GEAR PLUG KG/12/22/32
6	M500147	GASKET (KG-32-MP)
7	M571913	GEAR FOR SQUARED INNER COUPLIN 60 HZ (KG-32-MP)
8	M570223	PINION GEAR KG-32-MP (W/BEARING)
9	M501101	ALLEN CAP GEAR BOX
10	M570526	HEAD KNOB (KG-32-MP)
11	M570222	DOUBLE SHAFT GEAR 60 HZ (KG-32-MP)
12	M571045	GEAR UNIT KIT KG-32-MP, 60 HZ
13	M570394	BRONZE BUSHING (KG-32-MP)
14	M570224	FLAT GEAR KG-32-MP (W/BEARING)
15	M502175	FLAT WASHER 9/16"
16	M570496	GEAR BOX KIT W/SEAL AND BUSHING (KG-32-MP)
17	M500187	GEAR BOX SEAL# 11081 KG-32-MP

SPARE PARTS MANUAL

Page 02
KG-32-MP
Section: Transmission System



Gear Cover 60Hz KG32MP w/gears



Gear Unit Kit

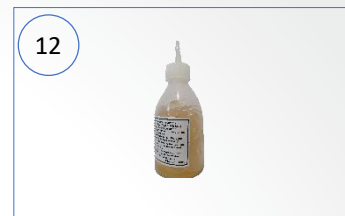
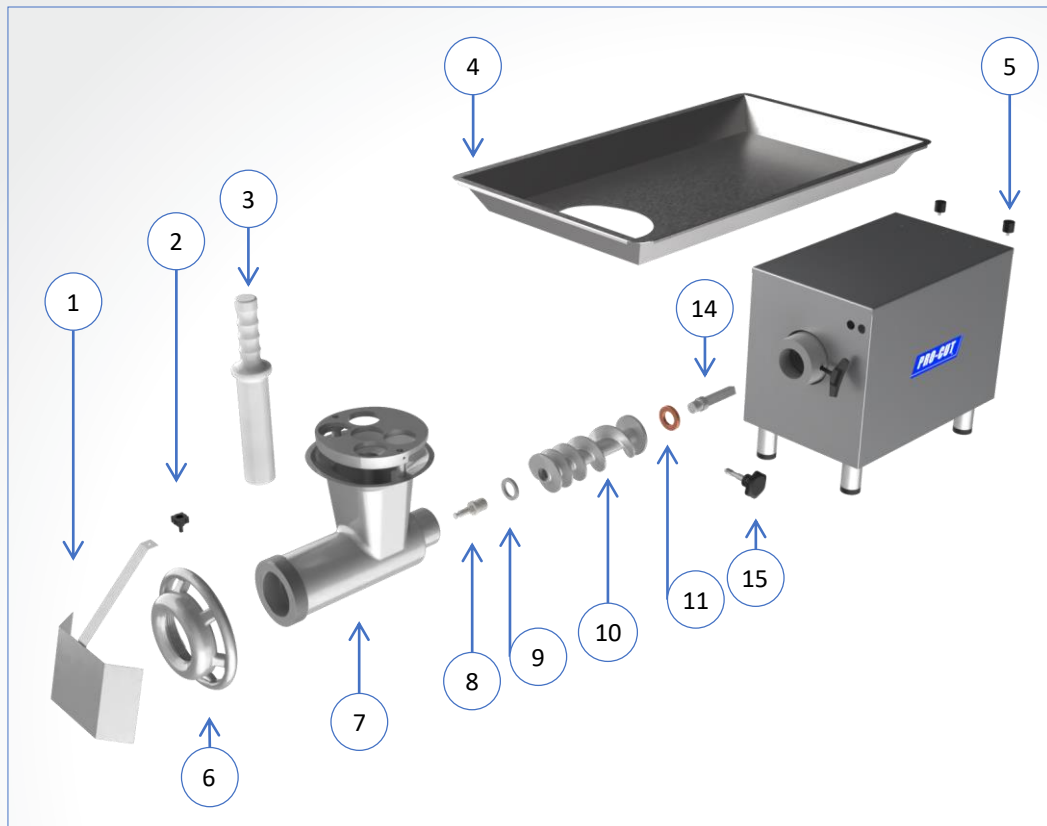
ITEM	CODE	DESCRIPTION
1	M501141	SEAL #13547
2	M570185	GEAR COVER 60Hz KG-32-MP W/GEARS
3	M571912	GEAR COVER KG-32-MP (GEAR NOT INCLUDED)
4	M570186*	GARLOCK BEARING 24DU24
5	M500329	SQUARE GEAR PLUG KG/12/22/32
6	M500147	GASKET (KG-32-MP)
7	M571913	GEAR FOR SQUARED INNER COUPLIN 60 HZ (KG-32-MP)
8	M570223	PINION GEAR KG-32-MP (W/BEARING)
9	M501101	ALLEN CAP GEAR BOX
10	M570526	HEAD KNOB (KG-32-MP)
11	M570222	DOUBLE SHAFT GEAR 60 HZ (KG-32-MP)
12	M571045	GEAR UNIT KIT KG-32-MP, 60 HZ
13	M500525*	FLAT/LINEAR BEARING FOR COVER AND BOX KG-32-MP
14	M570224	FLAT GEAR KG-32-MP (W/ .BEARING)
15	M502175	FLAT WASHER 9/16"
16	M570496	GEAR BOX KIT W/SEAL AND BUSHING (KG-32-MP)
17	M500187	GEAR BOX SEAL# 11081 KG-32-MP

* Spare parts Garlock bearing series from: A21-070306

* Spare parts Flat/Linear bearing for cover and box KG-32-MP series from: A21-070306

SPARE PARTS MANUAL

Page 03
KG-32-MP
 Section: Grinding-System



Grease Aliplex C2
 food grade 60 G

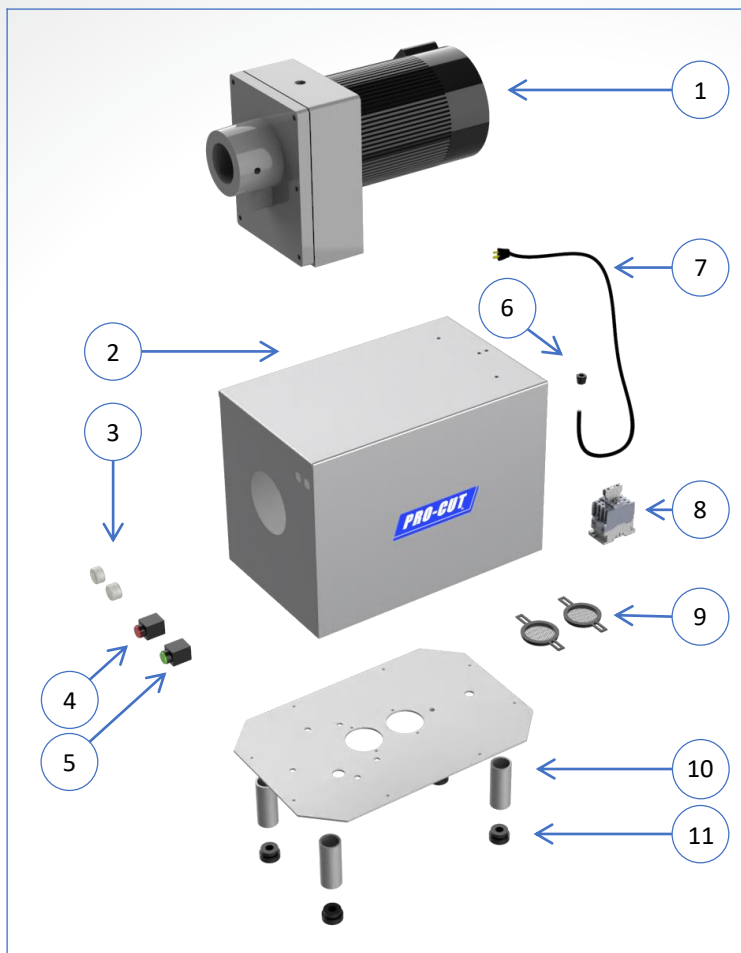


Grinding unit kit KG-32-MP

ITEM	CODE	DESCRIPTION
1	M572577	GRINDER DEFLECTOR SUB-ASSEMBLY KG-32-MP
2	M572573	DEFLECTOR KNOB KG-32-MP
3	M501607	STOMPER KG-32-MP
4	M572575	M32 GRINDER DEEP TRAY 3 HP
5	M500330	BUMPER (RUBBER)
6	M570386	HEADSTOCK RING (KG-32-MP)
7	M572588	HEADSTOCK KG-32-MP
8	M570203	FRONT ROD (KG-32-MP)
9	M501451	ZYTEL NYLON WASHER #101 KG-32-MP
10	M572560	FEED SCREW (WORM) KG-32-MP
11	M570391	BRONZE WASHER KG-32-MP
12	M501572	GREASE ALIPLEX C2 FOOD GRADE 60 G
13	M574308	GRINDING UNIT KIT KG-32-MP
14	M570207	REAR ROD (KG-32-MP)
15	M507692	HEADKNOB

SPARE PARTS MANUAL

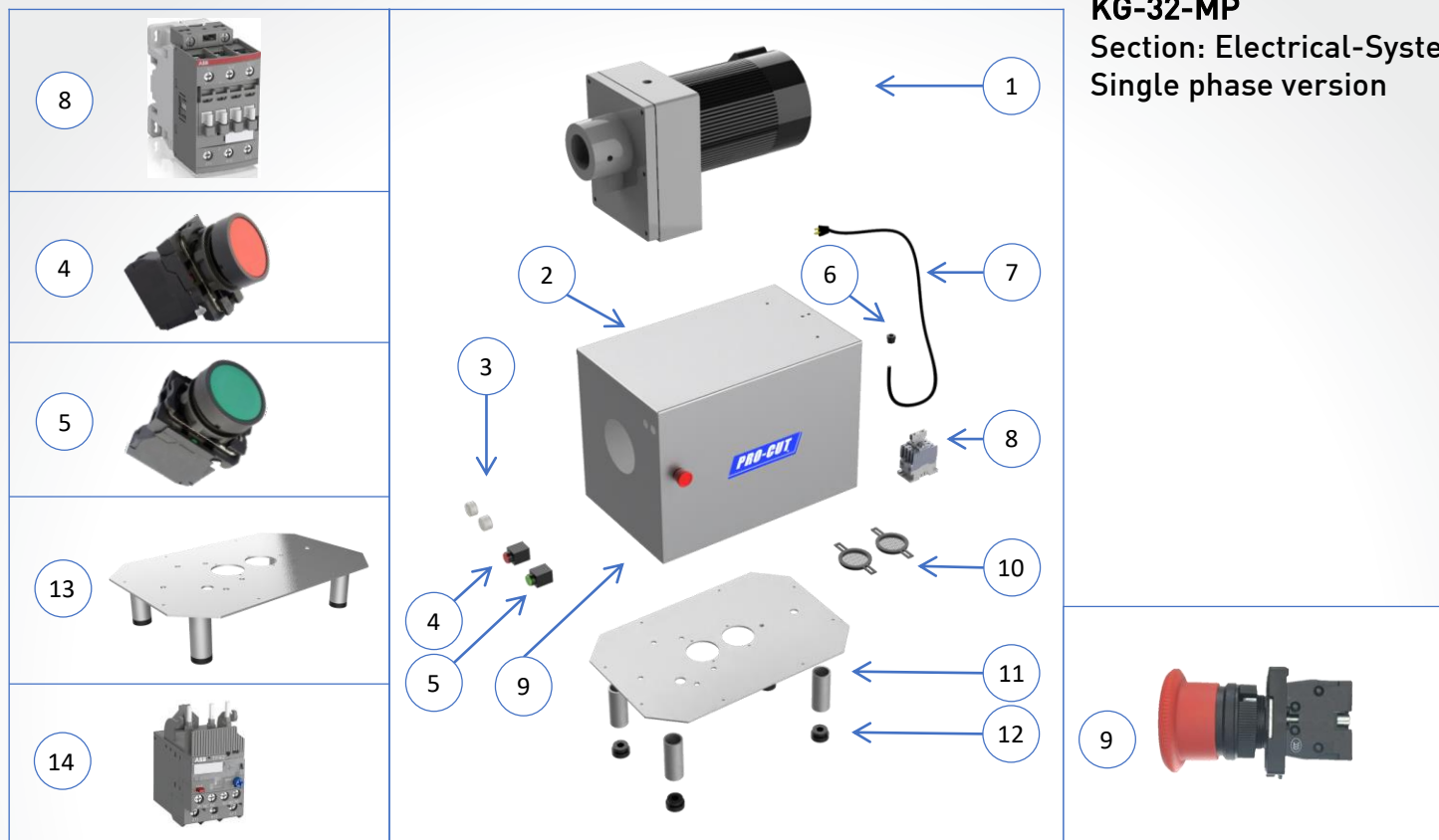
Page 04
KG-32-MP
 Section: Electrical-System
 Single phase version



ITEM	CODE	DESCRIPTION
1	M503168	MOTOR 3HP,230V,60HZ, SINGLE PHASE
2	M570187	CABINET KG-32-MP WITHOUT EMERGENCY STOP BUTTON
3	M572458	VINYL COVERS ABB KS116-KSP116
4	M502263	RED STOP BUTTON
5	M502264	GREEN STARTER BUTTON
6	M501367	STRAIGHT GROMMET CUR-12
7	M503338	SINGLE-PHASE 14 GAUGE SOCKET CABLE
8	M507638	CONTACTOR AF26300013 100-250V 50/60Hz
9	M500325	BASE COVER WITH MESH
10	M571407	3/4" ALUMINIUM
11	M500333	FERRULE RUBBER FOR GRINDERS
12	M570434	GRINDER BASE KG-32-MP 3HP
13	M507598	THERMAL RELAY TF42 (16-20)

SPARE PARTS MANUAL

Page 05
KG-32-MP
 Section: Electrical-System
 Single phase version



ITEM	CODE	DESCRIPTION
1	M503168	MOTOR 3HP,230V,60HZ, SINGLE PHASE
2	M570188*	CABINET KG-32-MP WITH EMERGENCY STOP BUTTON
3	M572458	VINYL COVERS ABB KS116-KSP116
4	M502263	RED STOP BUTTON
5	M502264	GREEN STARTER BUTTON
6	M501367	STRAIGHT GROMMET CUR-12
7	M503338	SINGLE-PHASE 14 GAUGE SOCKET CABLE
8	M507638	CONTACTOR AF26300013 100-250V 50/60Hz
9	M502079*	EMERGENCY STOP BUTTON
10	M500325	BASE COVER WITH MESH
11	M571407	3/4" ALUMINIUM LEG
12	M500333	FERRULE RUBBER FOR GRINDERS
13	M570434	GRINDER BASE KG-32-MP 3HP
14	M507598	THERMAL RELAY TF42 (16-20)

* Spare parts Emergency stop button series from: TBD